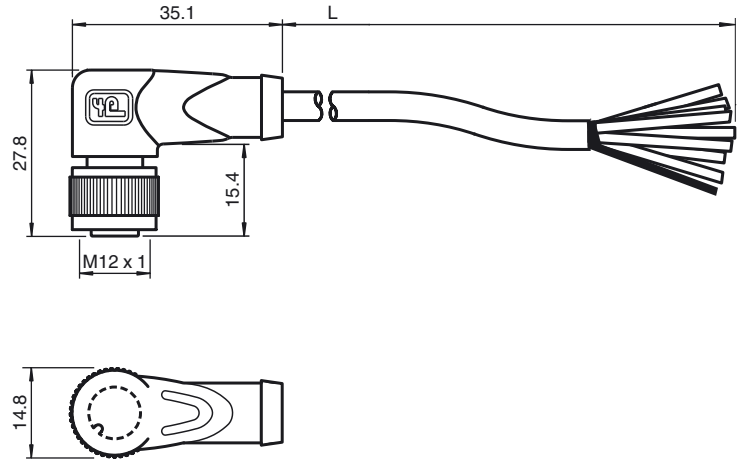




**Dimensions**



**Model Number**

**V19+90-W-1M-PUR-ABG**

Female cordset, M12, 8-pin, shielded, PUR cable

**Features**

- Knurled nut suitable for tool assembly
- Immunity to vibration, with mechanical latching
- Gold-plated and machined contacts
- Flame resistant cable
- Halogen-free
- Resistant to microbes and hydrolysis
- Degree of protection IP67 / IP68 / IP69K

**Technical data**

**General specifications**

Number of pins 8 + shield

**Electrical specifications**

Operating voltage  $U_B$  max. 30 V AC/DC  
 Operating current  $I_B$  max. 2 A

**Ambient conditions**

Ambient temperature Body: -40 ... 90 °C (-40 ... 194 °F)  
 cable, fixed: -40 ... 80 °C (-40 ... 176 °F)  
 cable, flexing: -20 ... 80 °C (-4 ... 176 °F)

Pollution Degree 3

**Mechanical specifications**

Contact elements spring-loaded contact socket

Pin diameter 1 mm

Degree of protection IP67 / IP68 / IP69k

**Material**

Contacts CuSn / Au

Contact surface Au

Body TPU, black

Cable PUR

Slotted nut Diecast zinc

Core insulation PP

Cable fine-strand, flexible

Sheath diameter Ø 6 mm

Bending radius > 10 x cable diameter, moving  
 > 8 x cable diameter, fixed

Color grey

Cores 8 x 0.25 mm<sup>2</sup>

Conductor construction 14 x 0.15 mm Ø

Shield grid covering 85 %

Length L 1 m

**Flammability**

Contact carrier HB

Housing V-2

**Electrical connection**

